

1-120 Cylinder Quarter-Turn Pr20.1 L18

Key operable, IP65, Optional pre-assembly

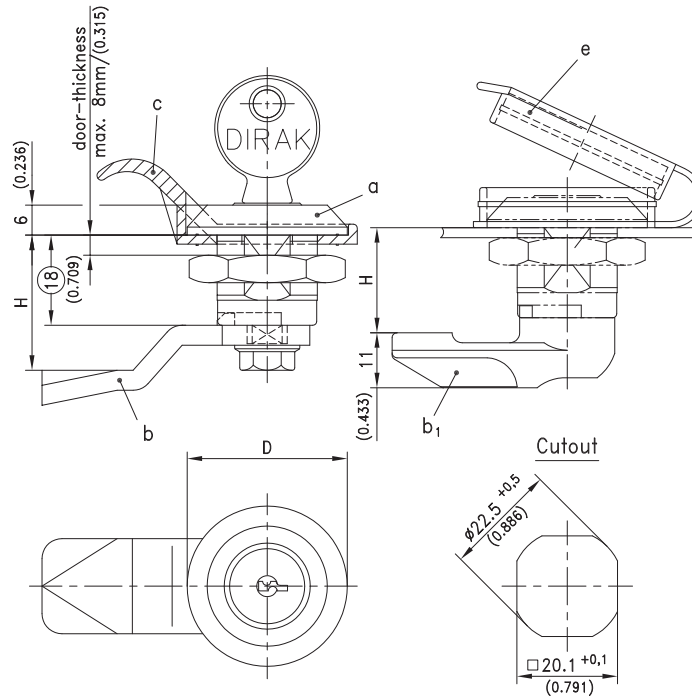
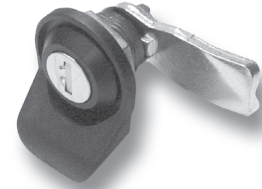


Product Notes:

- Components can be pre-assembled by DIRAK upon request
- Pre-assembled Quarter-Turn can be installed in cutout
- RH and LH application
- Tool-less installation - see Product System 1-120SL
- Stainless steel - see Product System 7-084

Material:

- **Housing:** Zinc Die, Chrome Plated or Black
- **Cam:** Steel, Zinc Plated or PA Black
- **Dustcaps:** PP, black or TPU, Black
- **Finger pull:** PA, Black



Housing with tumbler-barrel and single sided grounding nut	Part No.	Part No.	See Page
a) Head $\phi D=28\text{mm}/(1.102)$	Chrome Plated	Black	
Keyed alike DIRAK 1333*	200-9201	200-9202	
Keyed alike DS200*	500-9201	500-9202	
Keyed different	200-9203	200-9204	
Head $\phi D=32\text{mm}/(1.260)$			
Keyed alike DIRAK 1333*	200-9205	200-9206	
Keyed alike DS200*	500-9205	500-9206	
Keyed different	200-9207	200-9208	

b) Cam steel (zinc plated)			01.101, 01.102
----------------------------	--	--	-------------------

b1) Cam PA (black)			01.42
--------------------	--	--	-------

c) Finger pull			01.106
----------------	--	--	--------

d) Assembling of cam	200-0001	200-0001	
Optional:			
Water and dust tight according to IP65 by:			

e) Dust cap			01.106
-------------	--	--	--------

All locks supplied with two keys.

* with stainless dust-shutter